

THIS DRAWING IS UNPUBLISHED. RELEASED FOR PUBLICATION
 © COPYRIGHT - By - ALL RIGHTS RESERVED.

REVISIONS					
P	LTR	DESCRIPTION	DATE	DWN	APVD
C		REVISE PER ECO-16-006996	5MAY2016	RG	SH

D

C

B

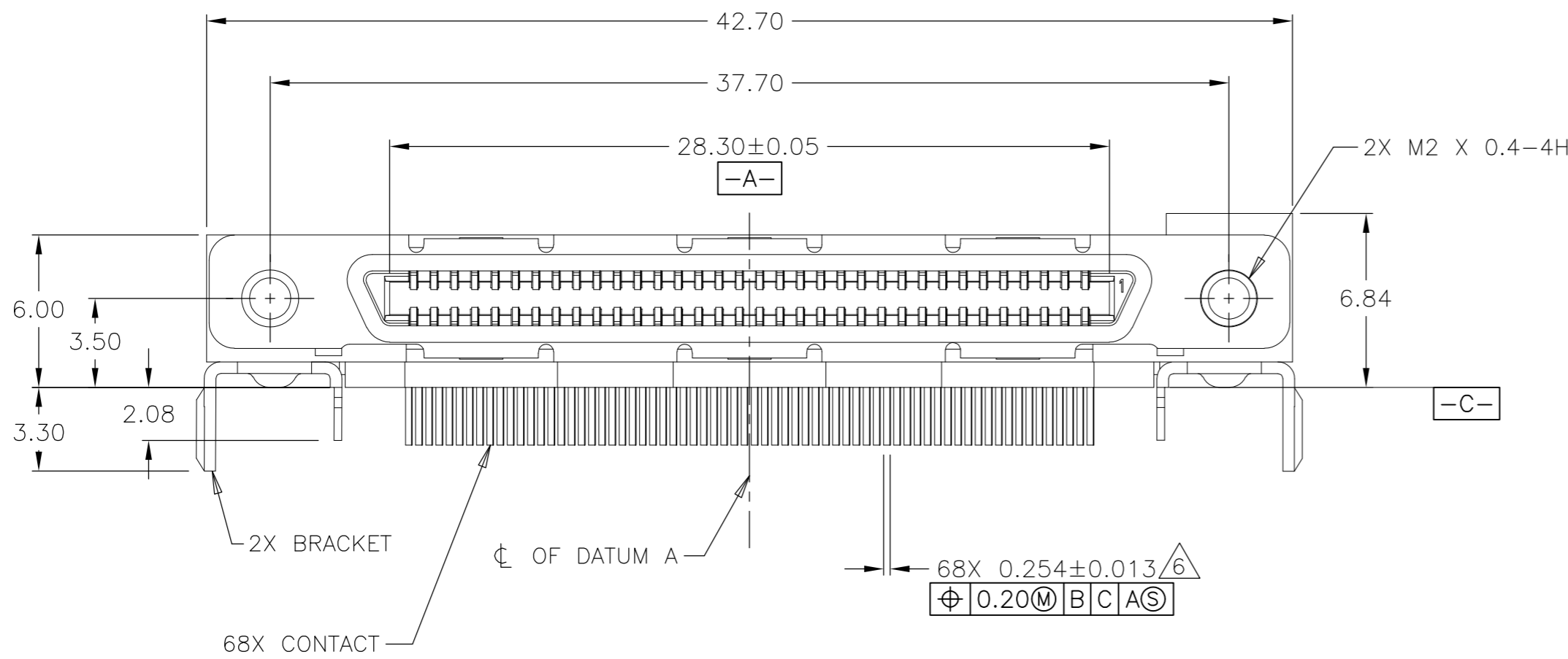
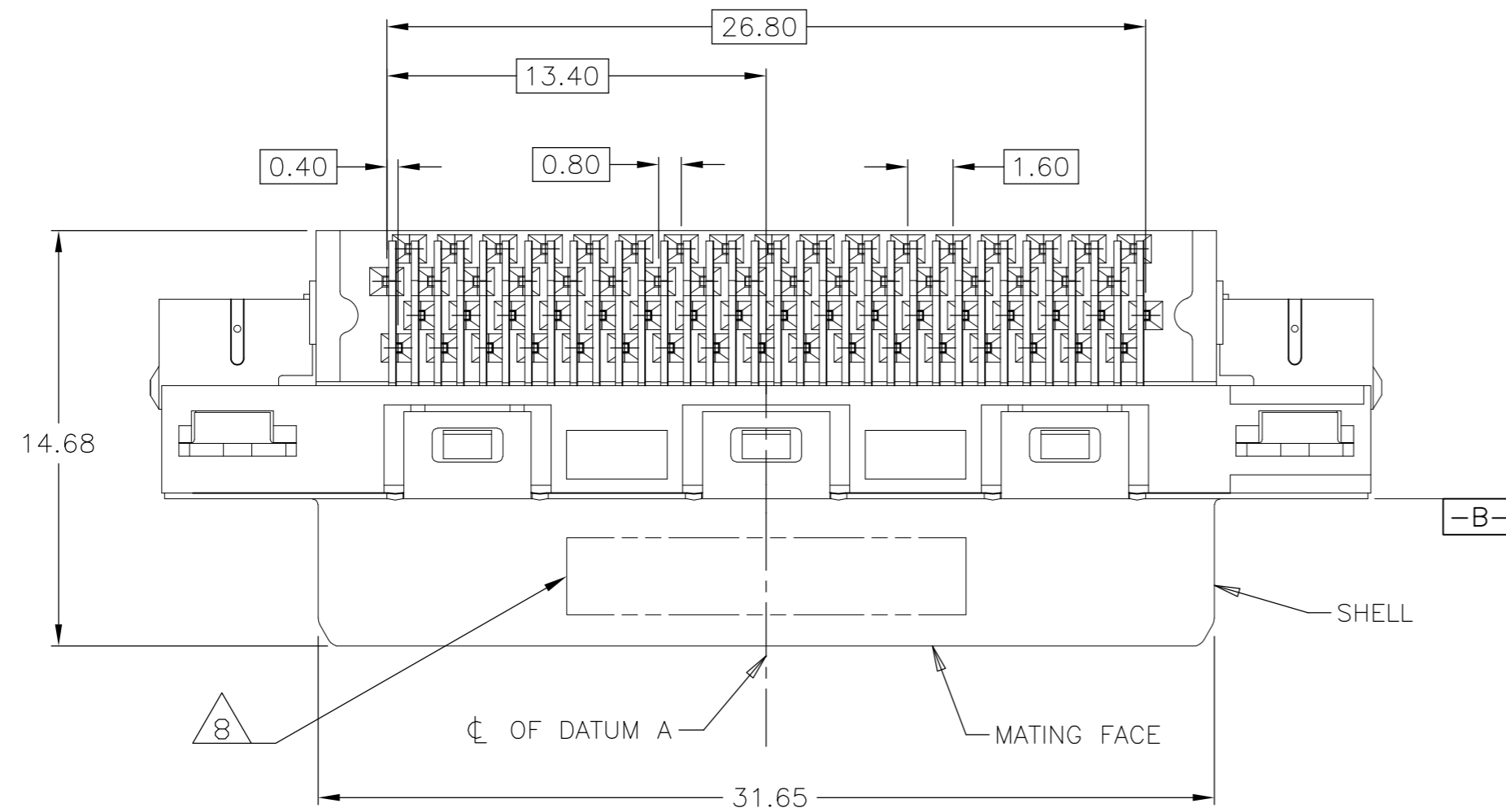
A

D

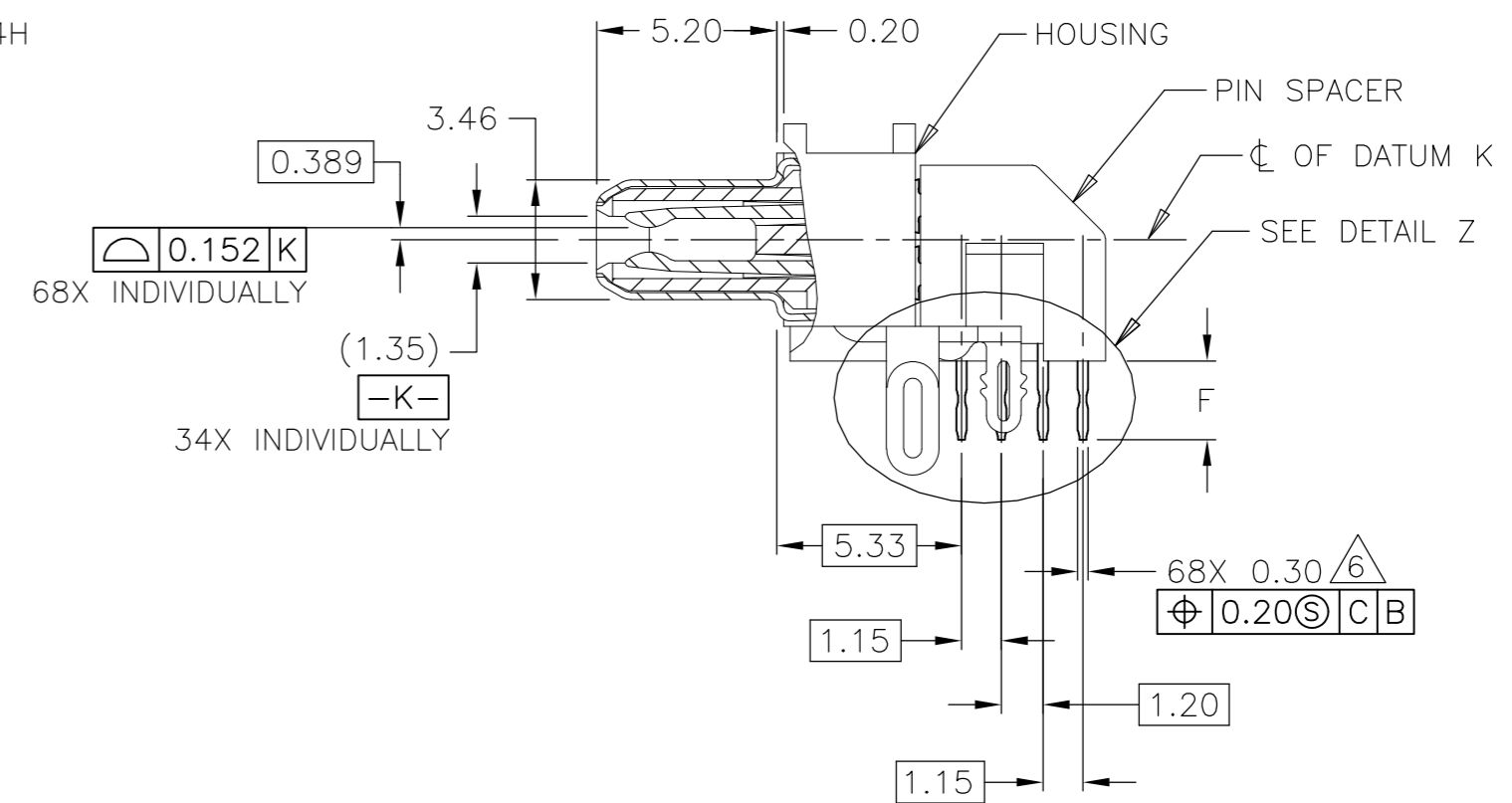
C

B

A



- ① HOUSING & PIN SPACER: THERMOPLASTIC, BLACK, UL 94V-0 RATED. SHELL: CARBON STEEL. CONTACTS: PHOSPHOR BRONZE. BRACKETS: STEEL.
- ② SHELL: 5.08μm MIN NICKEL OVER 2.54μm MIN COPPER. CONTACTS: 0.76μm MIN GOLD ON MATING END, 3.75μm MIN TIN ON SOLDER TAILS, BOTH OVER 1.27μm MIN NICKEL ON ENTIRE CONTACT. BRACKETS: TIN PLATED.
- ③ CONTACTS DESIGNED FOR USE ON 1.60±0.15 THICK PC BOARD WITH PLATED THRU MOUNTING HOLES.
- ④ RECEPTACLE ASSEMBLY DESIGNED FOR USE WITH 1.12±0.08 THICK PANEL.
- ⑤ DATUMS AND DIMENSIONS ESTABLISHED BY CUSTOMER.
- ⑥ POSITION TOLERANCE APPLIES AT CONTACT TIP ONLY.
- ⑦ CONTACTS DESIGNED FOR USE ON 2.35±0.15 THICK PC BOARD WITH PLATED THRU MOUNTING HOLES.
- ⑧ DATE CODE MARKED IN APPROXIMATE AREA SHOWN.
- ⑨ CONTACTS DESIGNED FOR USE ON 4.34±0.15 THICK PC BOARD WITH PLATED THRU MOUNTING HOLES.

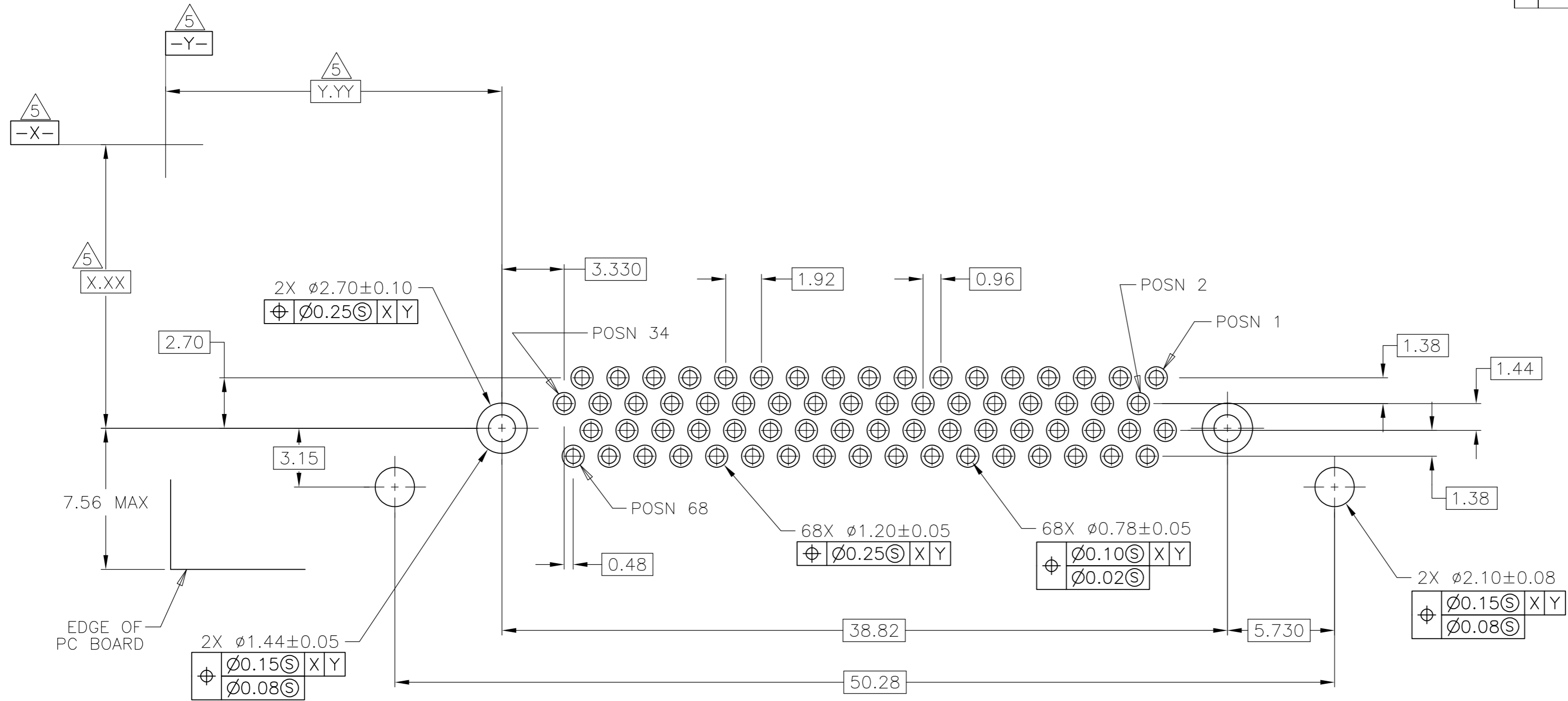


SOFT TRAY	⑨	5.59	5796055-4
HARD TRAY	⑦	3.55	5796055-3
SOFT TRAY	⑦	3.55	5796055-2
SOFT TRAY	③	2.27	5796055-1
TRAY	REMARKS	F	PART NUMBER

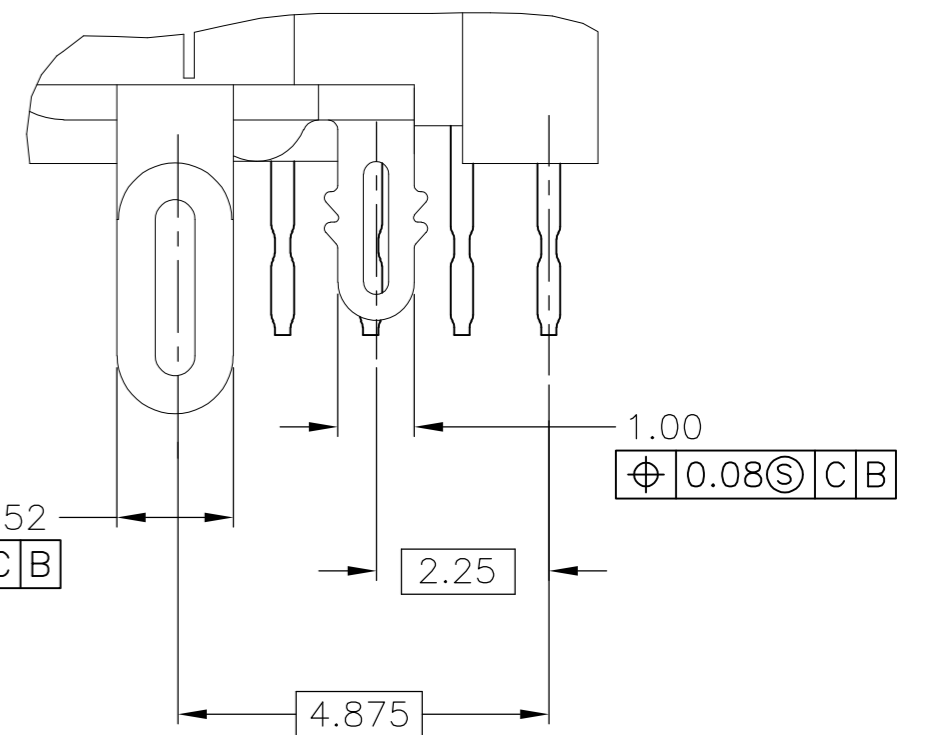
THIS DRAWING IS A CONTROLLED DOCUMENT.		DWN	J.GERACE	31JAN05	 TE Connectivity
DIMENSIONS: mm		CHK	S.SHUEY	31JAN05	
TOLERANCES UNLESS OTHERWISE SPECIFIED:		APVD	M.WALMSLEY	31JAN05	
0 PLC ± - 1 PLC ± - 2 PLC ± 0.13 3 PLC ± - 4 PLC ± - ANGLES ± - FINISH		PRODUCT SPEC	108-1471	NAME	
MATERIAL	①	WEIGHT	0	SIZE	A2
CUSTOMER DRAWING		SCALE	5:1	CAGE CODE	00779
		SHEET	1 of 2	DRAWING NO	C=5796055
		REV	C	RESTRICTED TO	-

THIS DRAWING IS UNPUBLISHED. RELEASED FOR PUBLICATION
 © COPYRIGHT - By - ALL RIGHTS RESERVED.

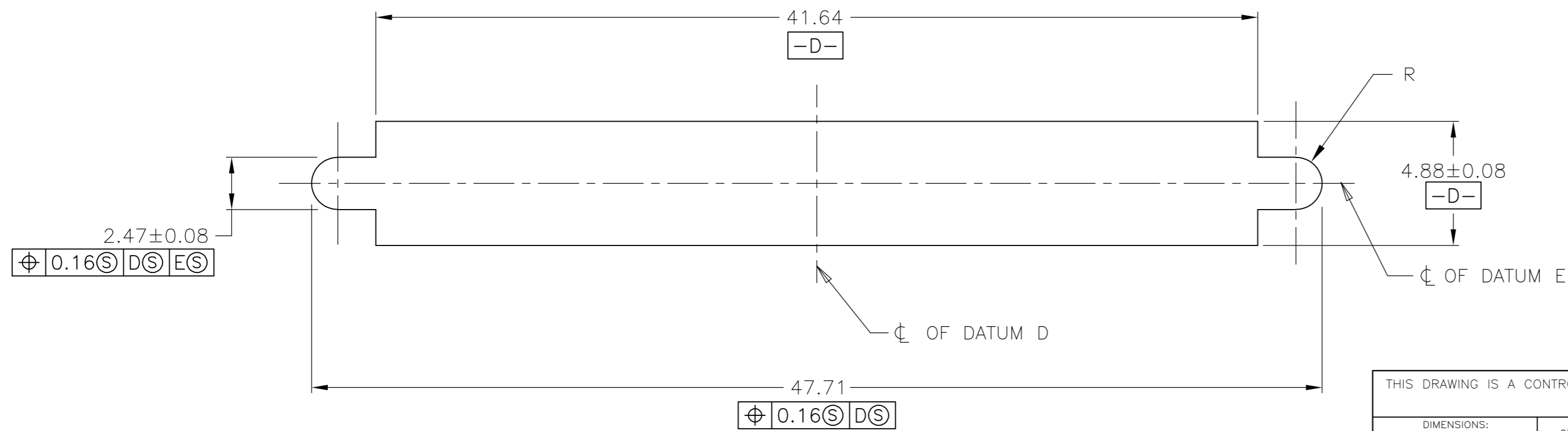
REVISIONS					
P	LTR	DESCRIPTION	DATE	DWN	APVD
-	-	SEE SHEET 1	-	-	-



PC BOARD MOUNTING DIMENSIONS



DETAIL Z
SCALE 10:1



PANEL CUT-OUT DIMENSIONS

THIS DRAWING IS A CONTROLLED DOCUMENT.		DWN J.GERACE 31JAN05	 TE Connectivity
		CHK S.SHUEY 31JAN05	
		APVD M.WALMSLEY 31JAN05	
		PRODUCT SPEC	
DIMENSIONS: mm		NAME 108-1471	
TOLERANCES UNLESS OTHERWISE SPECIFIED:		APPLICATION SPEC	
0 PLC ± -		114-6057	
1 PLC ± -		WEIGHT 0	
2 PLC ± 0.13		SIZE A2	
3 PLC ± -		CAGE CODE 00779	
4 PLC ± -		DRAWING NO C=5796055	
ANGLES ± -		RESTRICTED TO -	
FINISH		SCALE 5:1	
		SHEET 2 OF 2	
		REV C	